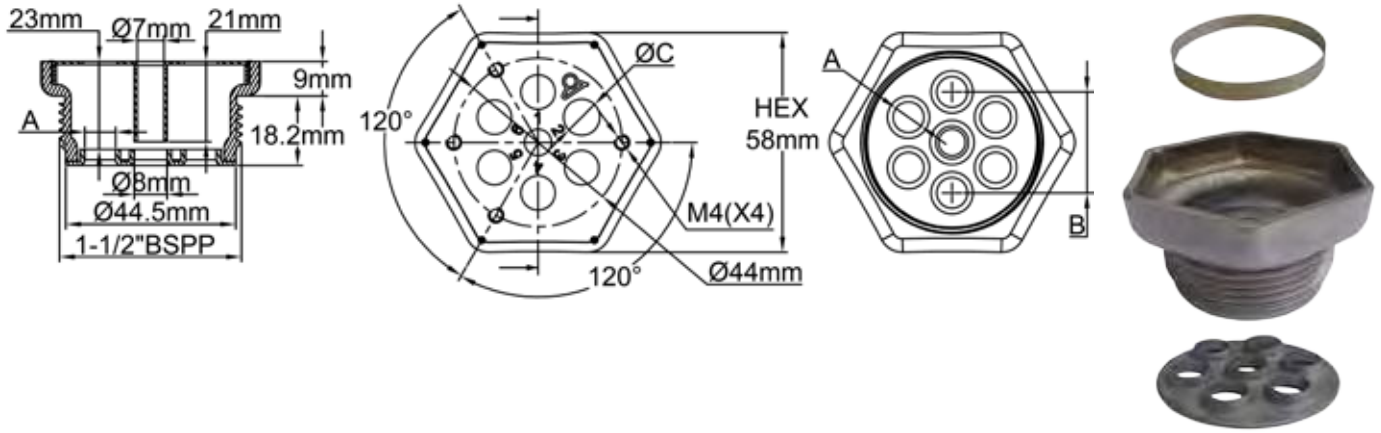


Main stainless steel fittings 1 1/2 for TIG welding



Heating element holes qty and dia. (A) mm	2 x 6.5	4 x 6.5	6 x 6.5	2 x 8	4 x 8	6 x 8	2 x 10	4 x 10
Hole distances (B) mm	26.5	26.5	26.5	26.5	26.5	26.5	25	25
Hexagonal top plate holes dia (C) mm	9	9	9	9	9	9	11	11

References of 1 1/2 fitting unassembled stainless steel parts **NOT** including ceramic spacers and not the earthing terminal*

304L	304L		304L	304L	316L
Hexagonal top plate for 2x dia.10 or 4x dia.10 fittings (always has 4 holes dia 11mm)	Hexagonal top plate for 2x, 4x, 6x dia 6.5 and 8mm fittings (always has 6 holes dia 9mm+ pocket extension)	Silicone grommet to close unused hole(s) on hexagonal top plate	Extension ring	Fitting frame	Fitting frame
9BBAE1000ELH011A	9BBSI10AEELH011A	9BBJO1000ELH208A	9BBAE1000ELH012A	9BBRA1000ELH130A	9BBRA1000ELH221A

Bottom plate

With pocket hole								
	2x6.5	4x6.5	6x6.5	2x8	4x8	6x8		
304L	9BBVR1000ELH411A	9BBVR1000ELH412A	9BBVR1000ELH413A	9BBVR1000ELH414A	9BBVR1000ELH415A	9BBVR1000ELH416A		
316L	9BBVR1000ELH611A	9BBVR1000ELH612A	9BBVR1000ELH613A	9BBVR1000ELH614A	9BBVR1000ELH615A	9BBVR1000ELH616A		
Without pocket hole								
	2x6.5	4x6.5	6x6.5	2x8	4x8	6x8	2x10	4x10
304L	9BBVR1000ELH421A	9BBVR1000ELH422A	9BBVR1000ELH423A	9BBVR1000ELH424A	9BBVR1000ELH425A	9BBVR1000ELH426A	9BBVR1000ELH427A	9BBVR1000ELH428A
316L	9BBVR1000ELH621A	9BBVR1000ELH622A	9BBVR1000ELH623A	9BBVR1000ELH624A	9BBVR1000ELH625A	9BBVR1000ELH626A	9BBVR1000ELH627A	9BBVR1000ELH628A

In red: usually stored references

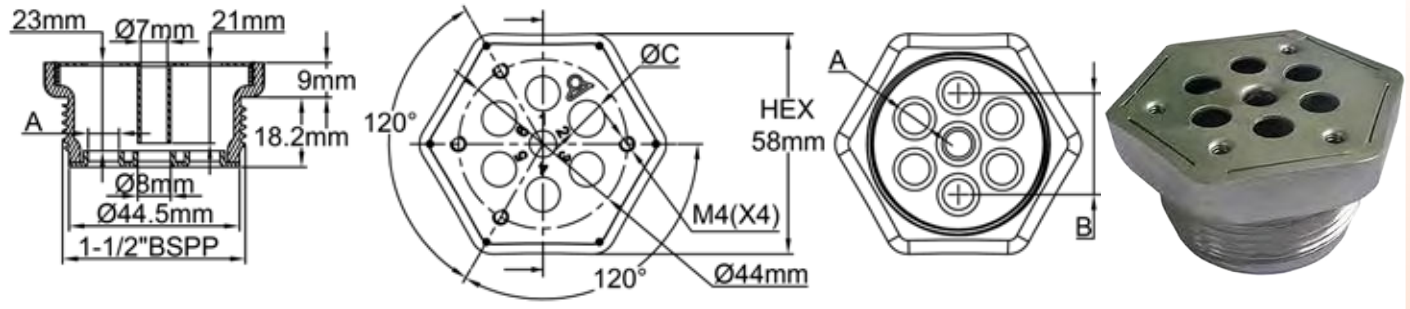
* Ceramic spacers and earthing terminals: see accessories

Because of permanent improvement of our products, drawings, descriptions, features used on these data sheets are for guidance only and can be modified without prior advice



Fittings and threaded accessories for immersion heaters

1"1/2 Stainless steel set for brazing



References of welded stainless steel parts set, **NOT** including earthing terminal*

Heating element holes Dia. (A) mm	Hole distances (B) mm	Hexagonal plate holes Dia. (C) mm	Sans trou de doigt de gant				Avec trou de doigt de gant pour tube dia. 8mm			
			304L		316L		304L		316L	
			1"1/2	M45x2	1"1/2	M45x2	1"1/2	M45x2	1"1/2	M45x2
2 x 6.5	26.5	9	9BBRASI10EL-HD11A	9BBRASI10EL-HD21A	9BBRASI10EL-HD31A	9BBRASI10EL-HD41A	9BBRASI10EL-HD51A	9BBRASI10EL-HD61A	9BBRASI10EL-HD71A	9BBRASI10EL-HD81A
4 x 6.5	26.5	9	9BBRASI10EL-HD11A	9BBRASI10EL-HD21A	9BBRASI10EL-HD31A	9BBRASI10EL-HD41A	9BBRASI10EL-HD51A	9BBRASI10EL-HD61A	9BBRASI10EL-HD71A	9BBRASI10EL-HD81A
6 x 6.5	26.5	9	9BBRASI10EL-HD11A	9BBRASI10EL-HD21A	9BBRASI10EL-HD31A	9BBRASI10EL-HD41A	9BBRASI10EL-HD51A	9BBRASI10EL-HD61A	9BBRASI10EL-HD71A	9BBRASI10EL-HD81A
2 x 8	26.5	9	9BBRASI10EL-HD11A	9BBRASI10EL-HD21A	9BBRASI10EL-HD31A	9BBRASI10EL-HD41A	9BBRASI10EL-HD51A	9BBRASI10EL-HD61A	9BBRASI10EL-HD71A	9BBRASI10EL-HD81A
4 x 8	26.5	9	9BBRASI10EL-HD11A	9BBRASI10EL-HD21A	9BBRASI10EL-HD31A	9BBRASI10EL-HD41A	9BBRASI10EL-HD51A	9BBRASI10EL-HD61A	9BBRASI10EL-HD71A	9BBRASI10EL-HD81A
6 x 8	26.5	9	9BBRASI10EL-HD11A	9BBRASI10EL-HD21A	9BBRASI10EL-HD31A	9BBRASI10EL-HD41A	9BBRASI10EL-HD51A	9BBRASI10EL-HD61A	9BBRASI10EL-HD71A	9BBRASI10EL-HD81A
2 x 10	25	11	9BBRASI10EL-HD11A	9BBRASI10EL-HD21A	9BBRASI10EL-HD31A	9BBRASI10EL-HD41A				
4 x 10	25	11	9BBRASI10EL-HD11A	9BBRASI10EL-HD21A	9BBRASI10EL-HD31A	9BBRASI10EL-HD41A				

In red: standard references usually stored.

* grounding terminals: see accessories

Because of permanent improvement of our products, drawings, descriptions, features used on these data sheets are for guidance only and can be modified without prior advice

